



SF106P

6-Port 10/100Mbps PoE Switch

SF106P is an unmanaged switch with 2 100M uplink ports and 4 100M PoE ports. Compliant with IEEE 802.3af/at, it can power up PoE enabled clients like IP cameras. The total maximum power of the switch is 45W, up to 30W output for a single port. It supports 250m long distance PoE.



Dual Uplink Ports

Connect to NVR and routers simultaneously



Support Standard PoE

Compliant with 802.3af/at



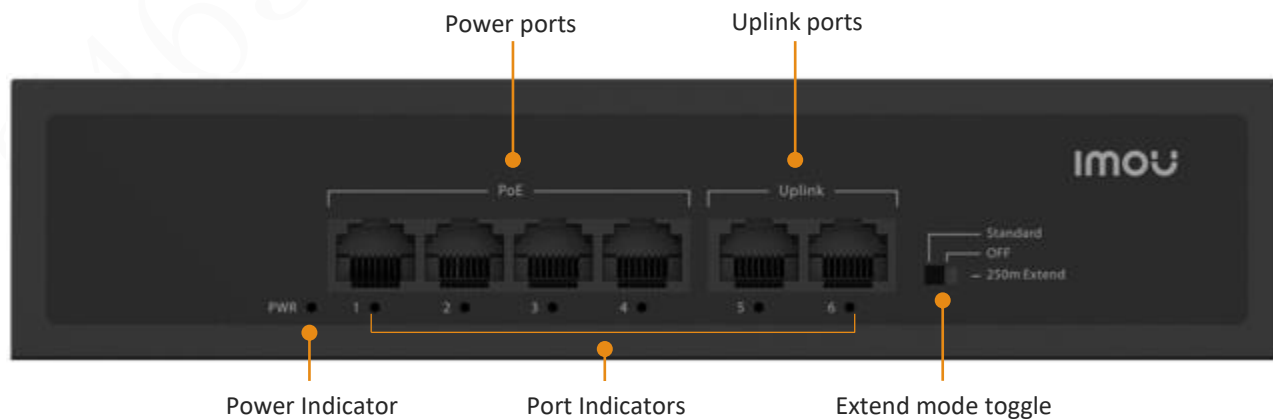
Extend Mode

Support up to 250m long distance transmission



Reliable Design

Metal Casing



Specifications

Hardware

Chipset	IP178G
Network Port	4x 10/100 M PoE ports, 2x 10/100M Uplink ports
LED Indicator	1x Power, 6x Link/Ack
Button	Extend mode toggle

Performance

Category	Unmanaged Switch
Switching Capacity	1.2Gbps
Packet Forwarding Rate	0.89Mbps
MAC Table Size	2K
Surge Protection	Common Mode: 4KV Differential Mode: 2KV

PoE

PoE Standard	IEEE 802.3af/at
Power Budget	Total: ≤ 45W Port 1-4: ≤ 30W
Long distance PoE	Yes, 250m

General

Power Input	AC100~240V
Power Output	52V/0.86A 45W
Material of the Casing	Metal
Installation Method	Desktop/wall-mount
Working Environment	-10°C~+55°C, 10~90%RH
Dimension(L×W×H) Weight	200 x 118 x 44mm
Certification	CE

What's in the box

Switch × 1

Power Cable × 1

Quick Start Guide × 1